

*model no:*

SG216D, SG216P, SG231D,  
SG231P, SG236D, SG236P,  
SG246D, SG246P, SG251D,  
SG251P



**WABASH VALLEY**

**SIGNATURE SERIES**

40", 46" SQ & 46" RND INGROUND TABLE W/3 & 4 SEATS,  
SUPERIOR FRAME, EXPANDED METAL & PERFORATED

© Wabash Valley Manufacturing, Inc.

*customer service:*

ASSEMBLERS: If you find any parts missing or damaged, or if you're having difficulty assembling your furniture/equipment, call us at:

\* Before calling, have your product model number available.

1-800-253-8619 (Inside U.S.A.)  
260-352-2102 (Outside U.S.A.)  
Monday thru Friday,  
8:00 AM - 4:30 PM Eastern Time  
(EXCEPT HOLIDAYS)

Any correspondence concerning our product should be sent directly to our Customer Service Manager at:

Wabash Valley Manufacturing, Inc.  
505 E. Main Street  
P.O.Box 5  
Silver Lake, IN 46982 U.S.A.  
FAX: 260-352-2160

*maintenance:*

Regular inspection and maintenance of all parts, and fasteners is necessary. Tighten all bolts and nuts. Inspect Tops, Seats, Legs, Braces and Fasteners periodically for wear or vandalism. Replace broken or worn parts immediately or take equipment out of service until repairs are made. Use genuine Wabash Valley replacement parts.

To restore plastisol coating to its luster after prolonged use, wash/rinse/dry and use Armor-All ® or similar quality vinyl protectant.

KEEP THIS ASSEMBLY/SPECIFICATION SHEET FOR FUTURE REFERENCE.

*specifications:*

NOTE: We reserve the right to change specifications without notice.

Heat fused poly-vinyl coating, finished on inner-metal structure, to an approximate 3/16" thickness. Framework assemblies are finished with powder coating; electrostatically applied and oven cured according to powder manufacturer's specifications. Fasteners are stainless steel to resist corrosion.

**TABLE FRAME:**

Main support is constructed from 4" x 4" x 11 gage galvanized structural steel tubing. Square mounting frame, for top, consists of 1/4" x 1 1/4" steel flat bar, 1/4" plate steel and 14 gage sheet steel. Seat assembly arm is constructed with a 2 7/8" od x 9 gage galvanized structural steel tubing. Cross tubing is 2 3/8" od x 12 gage galvanized structural steel tubing. Seat's mounting ears are 10 gage sheet steel. Mounting bracket, to the post, is 3/8" x 3 1/2" x 8" plate steel. Bolt and mounting plate covers are cast aluminum.

**TOP & SEATS:**

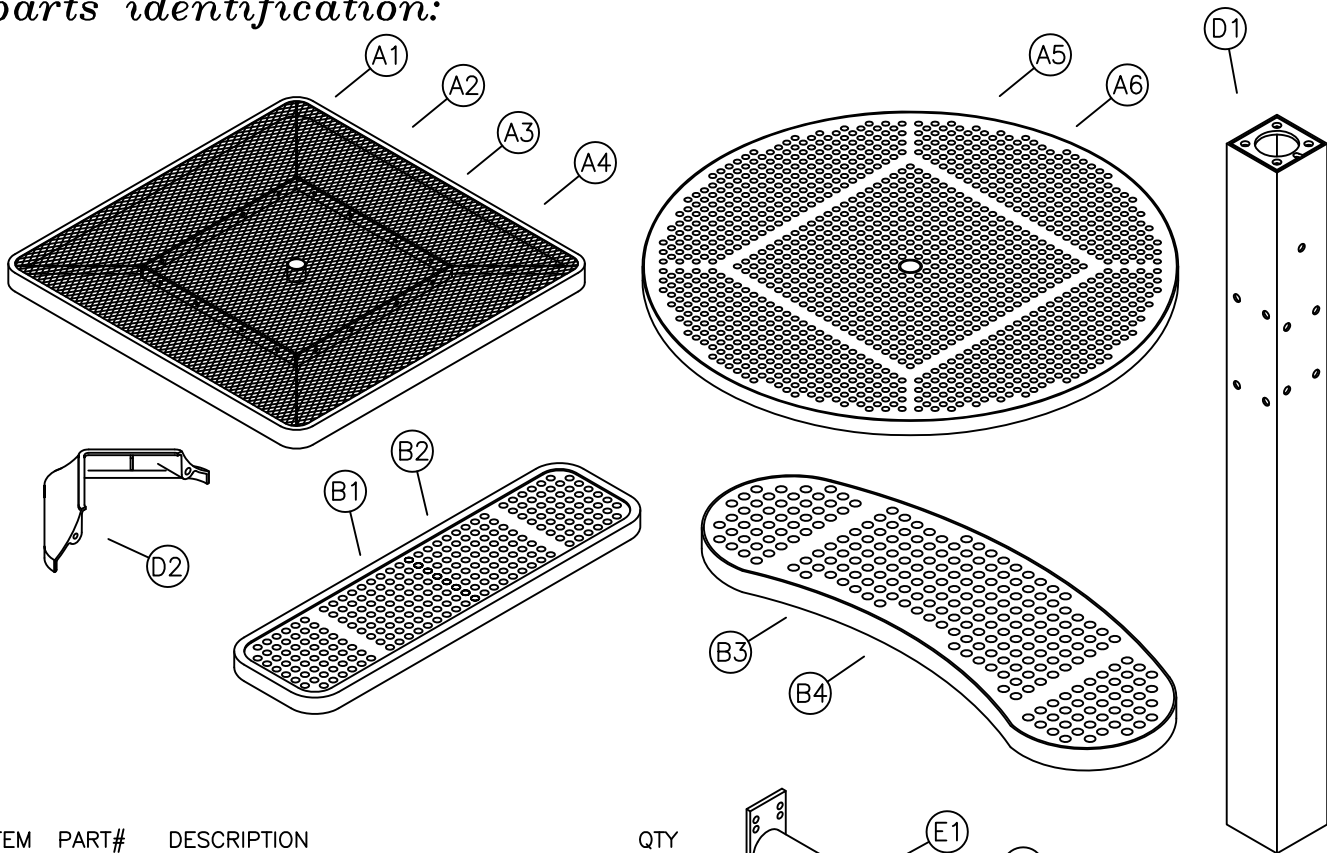
Top and seat use fabricated 3/4" #9 expanded steel mesh and 12 gage sheet metal for the perforated. Framing consists of die formed 14 gage mitered angles 3/4" x 1 3/4". Round tops are framed with 1/8" thick x 1 1/2" wide strip steel. Top's square mounting frame and the seat's mounting brackets are 1/4" x 1 1/2" steel flat bar. Top's support braces are 1/8" x 1 1/2" strip steel.

**GENERAL:**

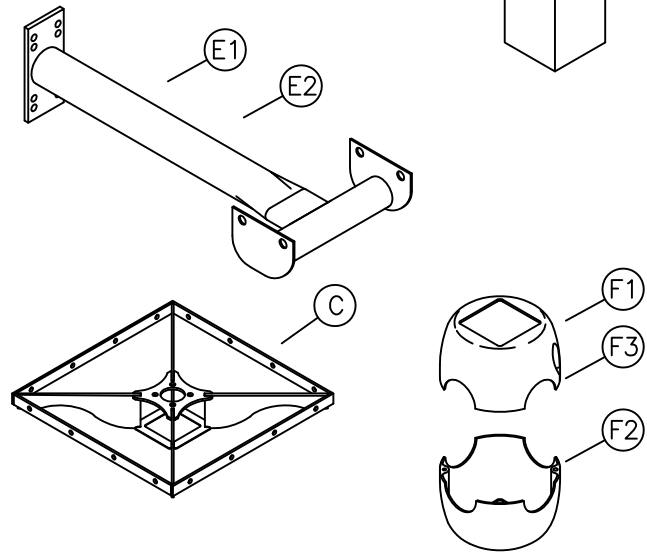
SG216P and SG216D ground space requirements are 71 3/8" squared. SG231P, SG231D, SG246P and SG246D ground space requirements are 77 3/4" squared. SG236P, SG236D, SG251P, SG251D ground space requirements are 77 3/4" x 62 1/8". It is 30" to the top of table. Seats are 10 3/8" wide x 36 3/8" and 19 3/8" to the top of the seat.

NOTE: When Umbrellas are used on Tables, the Umbrellas must be secured.  
Wabash Valley Umbrellas include an Umbrella Collar for securing.

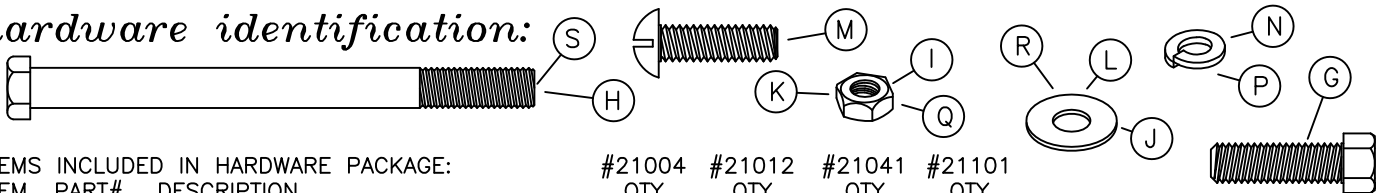
## parts identification:



ITEM	PART#	DESCRIPTION	QTY
A1	8109	40" RE EXPANDED METAL SQUARE TOP	1
A2	7504R	46" RE EXPANDED METAL SQUARE TOP	1
A3	8194	40" RE PERFORATED SQUARE TOP	1
A4	7971	46" RE PERFORATED SQUARE TOP	1
A5	7665	46" ROUND EXPANDED METAL TOP	1
A6	7976	46" ROUND PERFORATED TOP	1
B1	7530R	36" RE EXPANDED METAL SEAT	3 OR 4
B2	7998	36" RE PERFORATED SEAT	3 OR 4
B3	7666	EXPANDED METAL CONCAVE SEAT	3 OR 4
B4	8000	PERFORATED CONCAVE SEAT	3 OR 4
C	7464	POST MOUNTING FRAME	1
D1	7306	INGROUND POST	1
D2	7151	MOUNTING PLATE COVER (OPTIONAL)	1
E1	7129	40" SEAT ASSEMBLY	3 OR 4
E2	7318A	46" SEAT ASSEMBLY	3 OR 4
F1	7153	SEAT ASSEMBLY COVER 3 SEAT TOP	1
F2	7153B	SEAT ASSEMBLY COVER 3 SEAT BOTTOM	1
F3	7154	SEAT ASSEMBLY COVER 4 SEAT	1



## hardware identification:



### ITEMS INCLUDED IN HARDWARE PACKAGE:

ITEM	PART#	DESCRIPTION	#21004 QTY	#21012 QTY	#21041 QTY	#21101 QTY
F	17011	5/16-18 x 1 1/2" HEX BOLT - SS	0	8	8	0
G	17013	3/8-16 x 1 1/4" HEX BOLT - SS	0	0	4	0
H	17051	7/16-14 x 5 1/2" HEX BOLT - SS	8	0	8	0
I	17044	7/16-14 HEX NUT - SS	8	0	4	0
J	17028	3/8" FLAT WASHER - SS	0	16	20	0
K	17032	5/16-18 HEX NUT - SS	0	8	8	0
L	17043	7/16" FLAT WASHER - SS	16	0	0	0
M	17052	1/4-20 x 1" MACHINE SCREW - SS	0	0	0	2
N	17050	5/16 SPLIT LOCK WASHER - SS	0	8	8	0
P	17105	7/16 SPLIT LOCK WASHER - SS	8	0	0	0
Q	17017	1/4-20 HEX NUT - SS	1	0	0	0
R	17103	5/16" FLAT WASHER - SS	2	0	0	0
S	17154	1/4-20 X 4 1/2" HEX BOLT - SS	1	0	0	0

### ASSEMBLY TOOLS REQUIRED

- 1 - FLAT SCREW DRIVER
- 2 - 1/2" WRENCHES
- 1 - 9/16" WRENCH
- 1 - TAPE MEASURE
- 1 - 3' OR 6' LEVEL
- 1 - 5/8" WRENCH
- 1 - 11/16" WRENCH

## assembly procedures:

**IMPORTANT:** Assemblers should be reasonably skilled in the assembly of commercial grade/heavy duty fabricated steel equipment.

To ensure proper assembly, it is suggested that you take adequate time to locate and identify each part. To prevent scratching of the finished pieces, we recommend this unit to be assembled on a clean, flat, solid, surface with a drop cloth, allowing plenty of working room. Also please read the instructions and study the sketches very carefully. A little extra time spent before assembly will be well worth it in performing a complete, proper assembly. Please note that all parts have been precut and pre-drilled.

During the assembly process leave all bolts and nuts "finger tight", until the entire unit is completely assembled. This allows room for movement to level or adjust all seats, tops, benches, framework and braces if necessary. After final adjustment and leveling, permanently tighten all nuts, bolts and fasteners.

### STEP 1

Slide (C) onto end of (D1), matching the square opening with the square post until it rests on the top of the post. Secure (C) to (D1) engaging four (G) and (J) into pre welded t-nuts inside post, see FIG. 1. Draw the bolts to a snug fit with wrenches.

### STEP 2

Invert the top so it's upside down on a flat surface. Attach the (D1/C) assembly to the inside of the top's center square mounting frame, see FIG. 2. Use eight (F) and (K) using two (J) and one (N) per (F). Draw the fasteners to a snug fit with wrenches. Screw bolt covers (F1/F2) or (F3) together using two (M) machine screws and slide over inground post, refer to FIG. 4. Secure to top.

### STEP 3

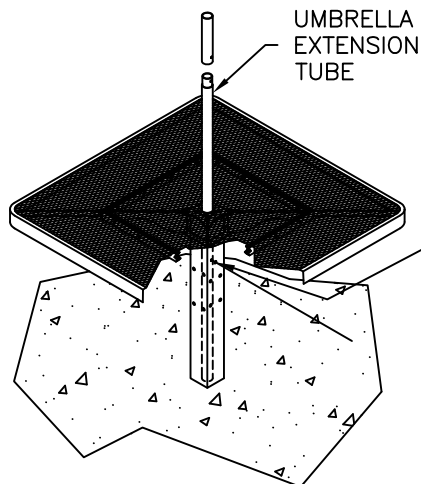
Prepare one foundation hole. Refer to product dimensions on following page.

### STEP 4

Re-invert the table to its top side up position and place it in the footing hole. Block the table as shown in FIG. 3. Before pouring concrete, make sure the table is level horizontally as well as vertically, and holds 30" to the top of the table.

Pour concrete to form the footing and let cure for 48 hours.

If mounting plate covers (D2) are used place halves around legs and secure with 2 (M) screws, see FIG. 6. Draw to a snug fit being careful not to over tighten.



USE HOLE PROVIDED IN TUBE AS TEMPLATE AND DRILL THRU UMBRELLA EXTENSION TUBE.

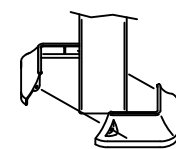


FIG. 6

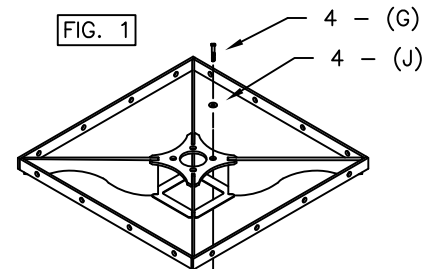


FIG. 1

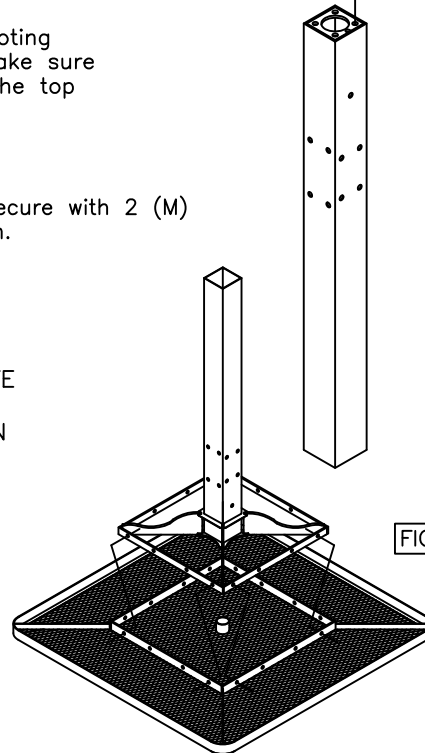


FIG. 2

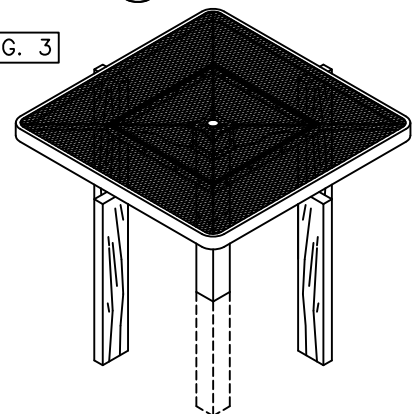


FIG. 3

### NOTE:

Secure the umbrella AFTER the seat arms are assembled.

### UMBRELLA SECUREMENT

Insert the umbrella extension tube into the square inground/surface mount tube through the table top hole.

### STEP A

Before drilling, be sure desired umbrella height is established. Drill a  $\phi 1/4"$  hole thru umbrella extension tube using the  $\phi 3/8"$  hole directly under table top as a template.

### STEP B

Secure umbrella extension to table leg tube using one (S), two (R) and one (Q). Tighten to snug fit.

## installation:

**WARNING:** The proper installation for Wabash Valley products may depend upon many factors unique to the site, location, or use of a particular product. Consult with your contractor or other professional to determine your specific installation requirements.

## assembly procedures, cont'd:

### STEP 5

Lower bottom half of bolt cover careful not to scratch the post. Attach each (E-) seat assembly arm to the inground post as shown in FIG. 4. Use four, per each seat assembly arm, (H) and (I) using two (L) and one (P) per (H).

### STEP 6

Level the arms, then tighten fasteners with wrenches. Slide covers together and fasten together with two (M) machine screws. Snug covers together being careful not to over tighten.

### STEP 7

Attach (3 or 4) seats (B-) to the end of each seat assembly arm, aligning the seat's brackets to the outside of the seat assembly arm's brackets as shown in FIG. 5. Use four, per each seat, (F) and (K) using two (J) per (F).

### STEP 8

Level seats and top if necessary and tighten remaining fasteners with wrenches.

FIG. 4

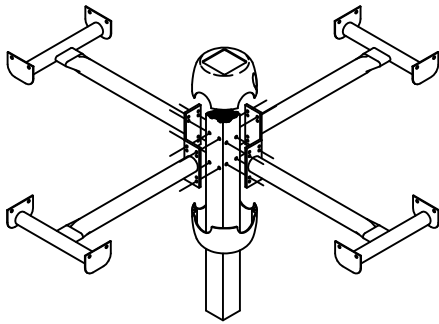
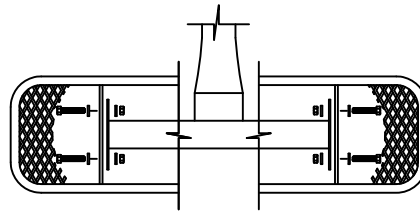
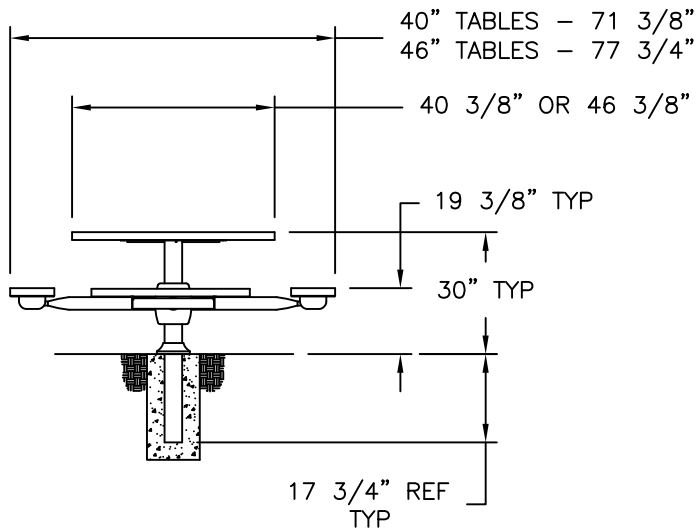


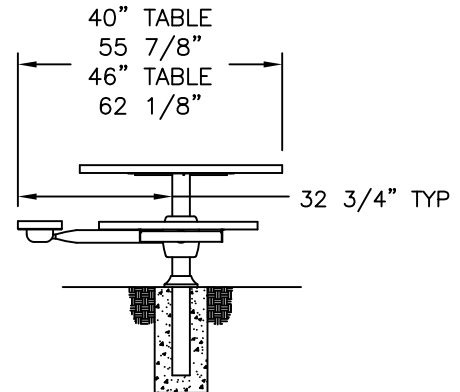
FIG. 5



## product dimensions:



4 SEAT



3 SEAT