

model no:

TG111N, TG112N, TG121N, TG122N, TG211N, TG212N,
TG221N, TG222N, TG311N, TG312N, TG321N, TG322N,
TG412N, TG422N, TG120N, TG125N
TG136U, TG148U, TG160U, TG172U, TG236U, TG248U,
TG260U, TG272U



WABASH VALLEY

TREE GRATES, FRAMES & GUARDS

36", 48", 60" & 72" SQUARE & ROUND
UNIVERSAL

© Wabash Valley Manufacturing, Inc.

customer service:

ASSEMBLERS: If you find any parts missing or damaged, or if you're having difficulty assembling your furniture/equipment, call us at:

* Before calling, have your product model number available.

1-800-253-8619 (Inside U.S.A.)

260-352-2102 (Outside U.S.A.)

Monday thru Friday,
8:00 AM - 4:30 PM Eastern Time
(EXCEPT HOLIDAYS)

Any correspondence concerning our product should be sent directly to our Customer Service Manager at:

Wabash Valley Manufacturing, Inc.
505 E. Main Street
P.O.Box 5
Silver Lake, IN 46982 U.S.A.
FAX: 260-352-2160

maintenance:

Regular inspection and maintenance of all parts, and fasteners is necessary. Tighten all bolts and nuts. Inspect Tops, Seats, Legs, Braces and Fasteners periodically for wear or vandalism. Replace broken or worn parts immediately or take equipment out of service until repairs are made. Use genuine Wabash Valley replacement parts.

To restore plastisol coating to its luster after prolonged use, wash/rinse/dry and use Armor-All ® or similar quality vinyl protectant.

KEEP THIS ASSEMBLY/SPECIFICATION SHEET FOR FUTURE REFERENCE.

specifications:

NOTE: We reserve the right to change specifications without notice.

Heat fused poly-vinyl coating, finished on inner-metal structure, to an approximate 3/16" thickness. Framework assemblies are finished with powder coating; electrostatically applied and oven cured according to powder manufacturer's specifications. Fasteners are stainless steel to resist corrosion.

TREE GRATE PANELS:

Each tree grate panel is made of 10 gage sheet steel. Slots are a 1/4" opening, after poly vinyl coating. Framing and support brackets are 1/4" X 1 1/2" steel flat bar. Tree wells are a standard 16" diameter, expandable to 19" diameter.

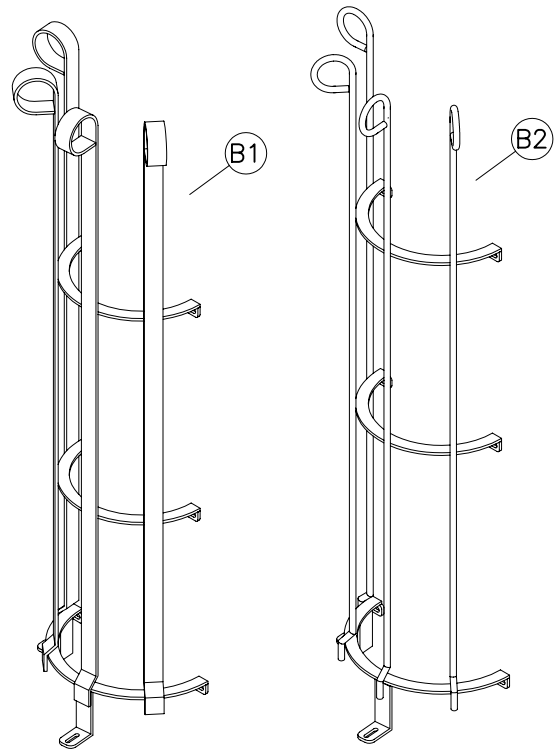
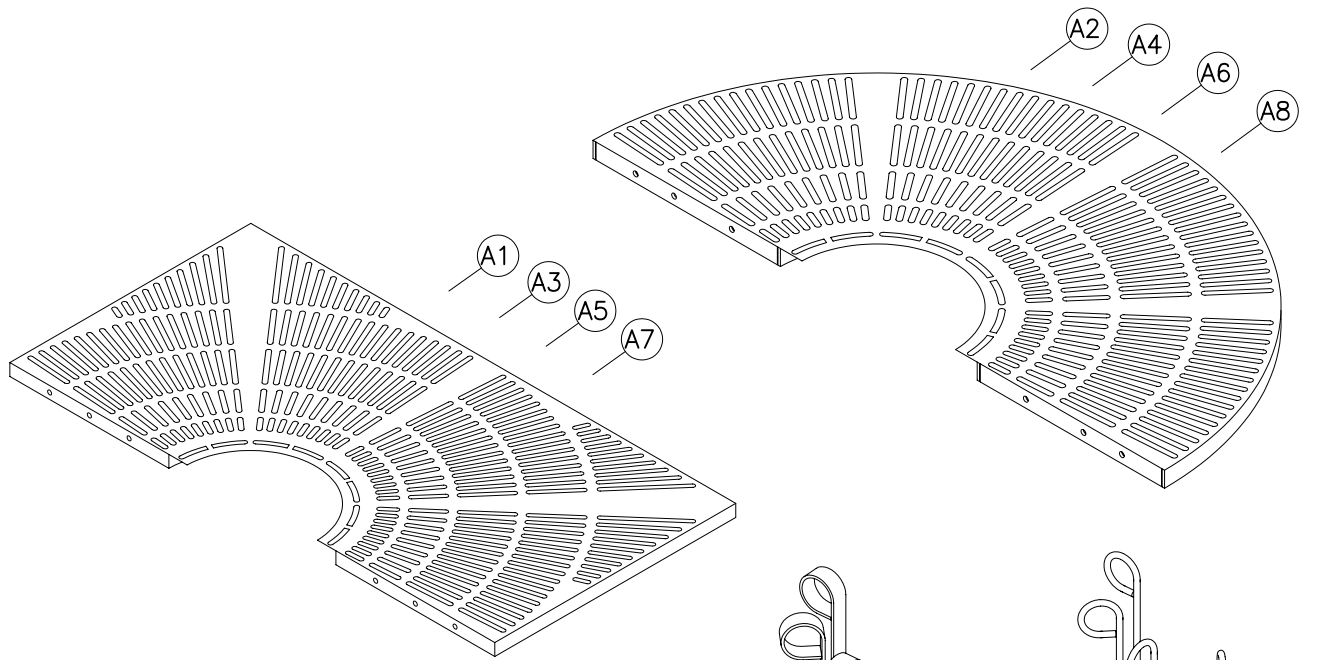
TREE GRATE FRAMES:

Frames are made of 2 x 2 x 1/8 angle iron. The concrete anchors, welded to the frames, are 1/2" diameter steel rod.

TREE GUARD:

Flat bar upright is 1/4" x 1 1/2" flat bar steel. Rod upright is 1/2" diameter steel rod. Mounting rings and lower tree guard mounting brackets are made from 1/4" plate steel.

parts identification:



ITEM	PART#	DESCRIPTION
A1	8505	36" UNIVERSAL SQUARE TREE GRATE
A2	8506	36" UNIVERSAL ROUND TREE GRATE
A3	8507	48" UNIVERSAL SQUARE TREE GRATE
A4	8508	48" UNIVERSAL ROUND TREE GRATE
A5	8509	60" UNIVERSAL SQUARE TREE GRATE
A6	8510	60" UNIVERSAL ROUND TREE GRATE
A7	8522	72" UNIVERSAL SQUARE TREE GRATE
A8	8523	72" UNIVERSAL ROUND TREE GRATE
B1	7446	FLAT BAR TREE GUARD
B2	7447	ROD TREE GUARD

hardware identification:



HARDWARE PACK #			21034	21037	21097
ITEM	PART#	DESCRIPTION	QTY	QTY	QTY
D	17012	5/16-18 x 2" HEX HEAD BOLT - SS	6	0	4
E	17028	3/8" FLAT WASHER - SS	12	20	8
F	17032	5/16-18 HEX FINISH NUT - SS	6	10	4
G	17050	5/16" SPLIT LOCK WASHER - SS	6	10	4
H	17011	5/16-18 X 1 1/2" HEX HEAD BOLT - SS	0	10	0

ASSEMBLIES TOOLS REQUIRED

2 - 1/2" WRENCHES

assembly procedures: IMPORTANT: Assemblers should be reasonably skilled in the assembly of commercial grade/heavy duty fabricated steel equipment.

To ensure proper assembly, it is suggested that you take adequate time to locate and identify each part. To prevent scratching of the finished pieces, we recommend this unit to be assembled on a clean, flat, solid, surface with a drop cloth, allowing plenty of working room. Also please read the instructions and study the sketches very carefully. A little extra time spent before assembly will be well worth it in performing a complete, proper assembly. Please note that all parts have been pre-cut and pre-drilled.

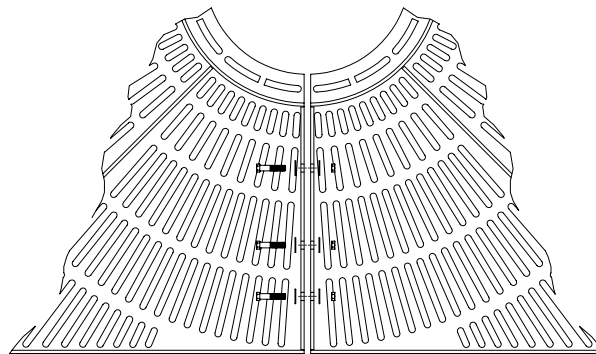
During the assembly process leave all bolts and nuts "finger tight", until the entire unit is completely assembled. This allows room for movement to level or adjust all seats, tops, benches, framework and braces if necessary. After final adjustment and leveling, permanently tighten all nuts, bolts and fasteners.

7L

TREE GRATE PANEL ASSEMBLY

Invert each (A-) tree grate panel so it's upside down on a flat surface. Bolt the panels as shown in FIG. 1. Use three, per each side of the panel, (D), (F). Use two (E) and one (G) per (D). 36" unit uses two, per each side of panel, (D), (F), two (E) and one (G) per (D).

FIG. 1



TREE GUARD ASSEMBLY

Place each (B-) tree guard atop the center hole of the tree grate panels. Bolt both of the tree guard halves together as shown in FIG. 2. Use one, per each set of mounting tabs, (H), (F), (G) using two (E) per (H).

The mounting brackets, on the lower part of the tree guard, should be bolted to the underside of the tree grate panels center circle. Refer to FIG. 3. Use one, per each mounting bracket, (H), (F), (G) using two (E) per (H).

FIG. 2

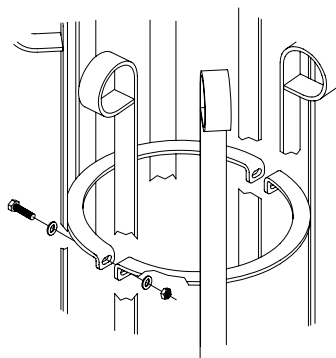
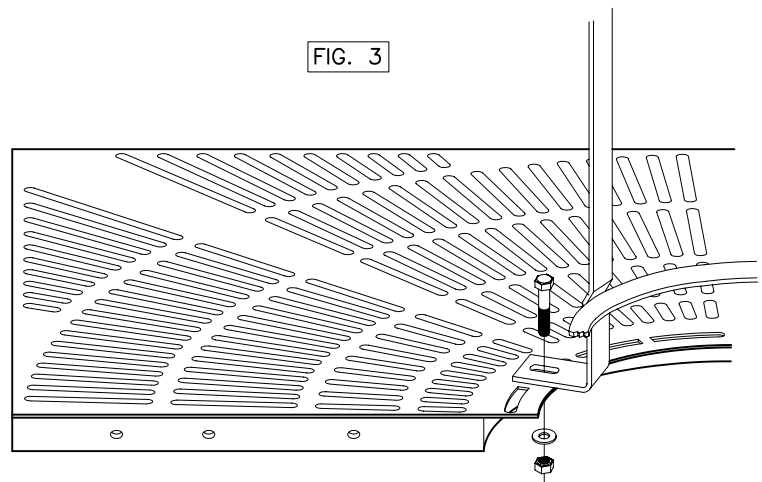


FIG. 3

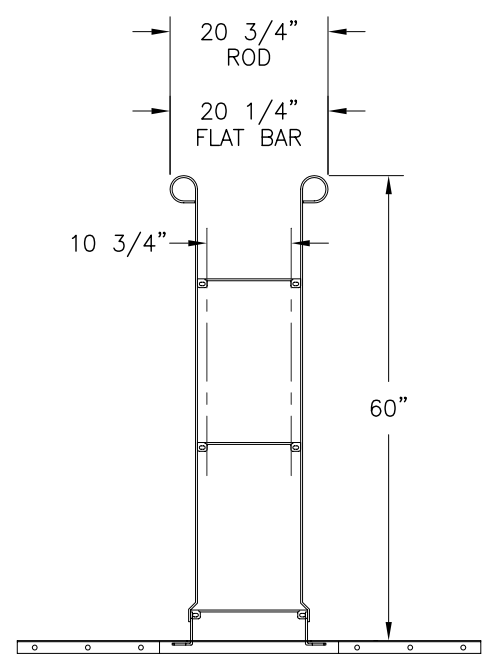
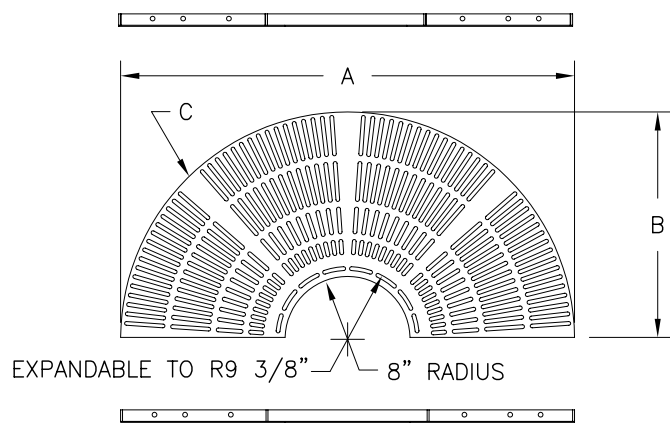
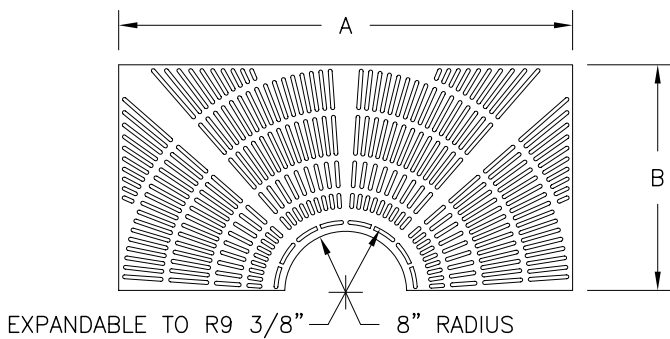


installation: WARNING: The proper installation for Wabash Valley products may depend upon many factors unique to the site, location, or use of a particular product. Consult with your contractor or other professional to determine your specific installation requirements.

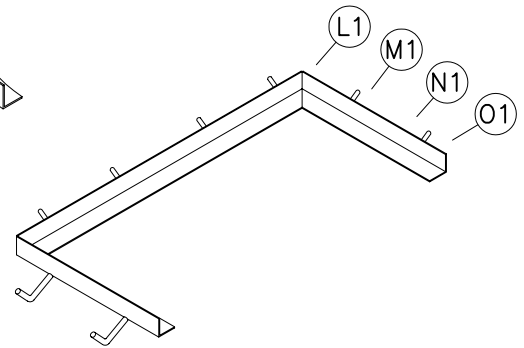
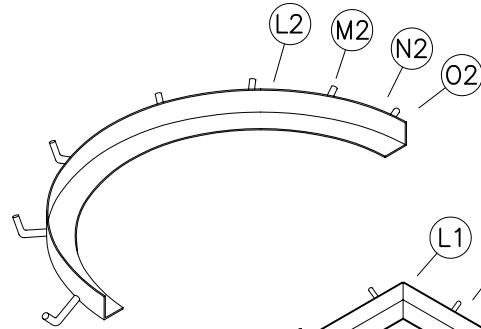
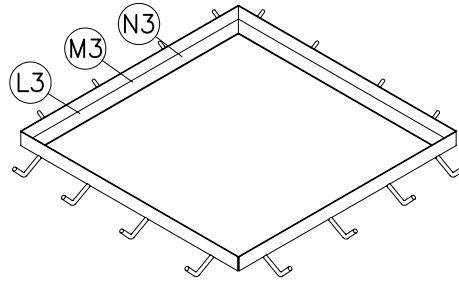
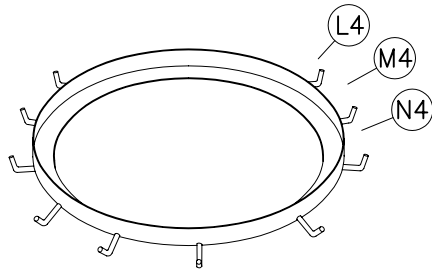
assembly procedures:

product dimensions:

	A	B	C
36"	35 3/4	17 15/16	17 3/4
48"	47 3/4	23 15/16	23 3/4
60"	59 3/4	29 15/16	29 3/4
60"	59 3/4	35 15/16	35 3/4

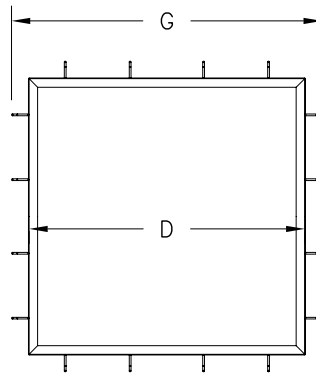
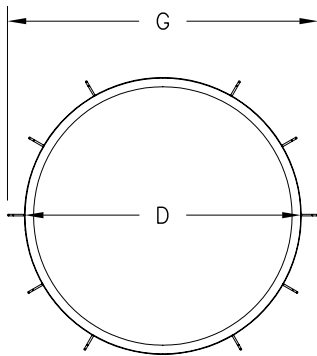


parts identification:

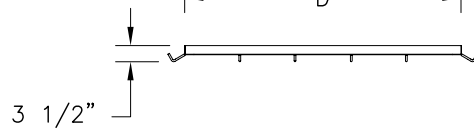
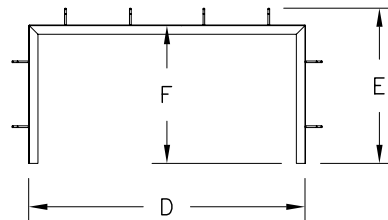
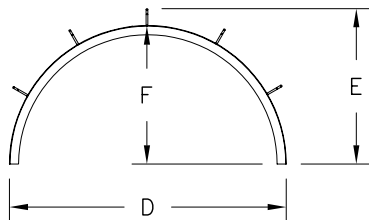


ITEM	PART#	DESCRIPTION
L1	7438	36" SQUARE HALF TREE GRATE FRAME
L2	7439	36" ROUND HALF TREE GRATE FRAME
L3	7448	36" SQUARE WHOLE TREE GRATE FRAME
L4	7449	36" ROUND WHOLE TREE GRATE FRAME
M1	7440	48" SQUARE HALF TREE GRATE FRAME
M2	7441	48" ROUND HALF TREE GRATE FRAME
M3	7451	48" SQUARE WHOLE TREE GRATE FRAME
M4	7452	48" ROUND WHOLE TREE GRATE FRAME
N1	7442	60" SQUARE HALF TREE GRATE FRAME
N2	7443	60" ROUND HALF TREE GRATE FRAME
N3	7454	60" SQUARE WHOLE TREE GRATE FRAME
N4	7455	60" ROUND WHOLE TREE GRATE FRAME
O1	7470	72" SQUARE HALF TREE GRATE FRAME
O2	7471	72" ROUND HALF TREE GRATE FRAME

product dimensions



	D	E	F	G
36"	36	21 3/8	18	42 3/4
48"	48	27 3/8	24	54 3/4
60"	60	33 3/8	30	66 3/4
72"	72	39 3/8	36	78 3/4



assembly procedures:

TREE GRATE FRAME INSTALLATION

FIG.s 4 and 5, represents a typical tree grate frame installation. We recommend that the frame should be secured to the forming material with 9 gage wire.

FIG. 6 is illustrating a standard 2 x 4 board between the inside of the frame and plywood. We do not suggest that a 2 x 4 board be used as a standard procedure, therefore tree grate panels may be used during the installation, see FIG. 7.

After the concrete has been allowed to thoroughly cure, all wires can be cut and trimmed allowing the removal of the forming materials or tree grate panels, if used.

FIG. 4

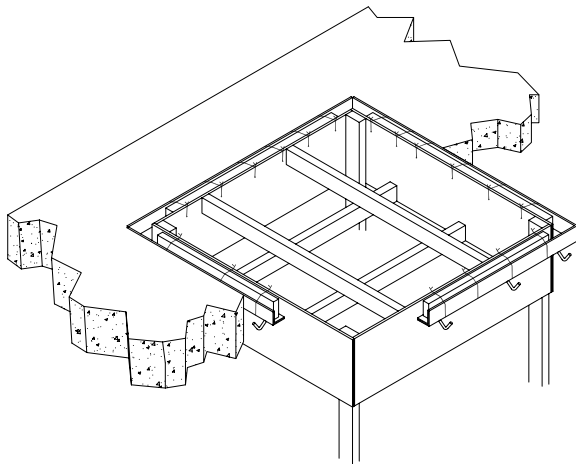


FIG. 5

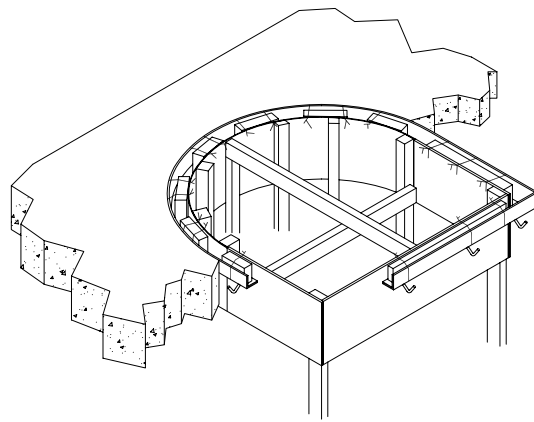


FIG. 6

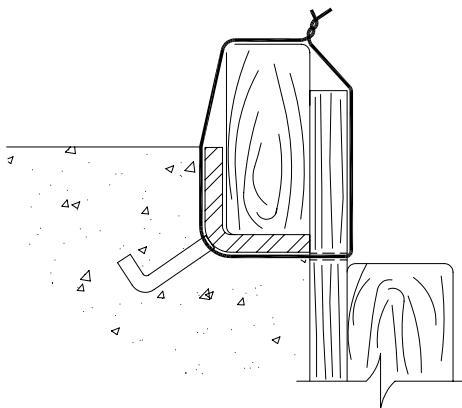


FIG. 7

